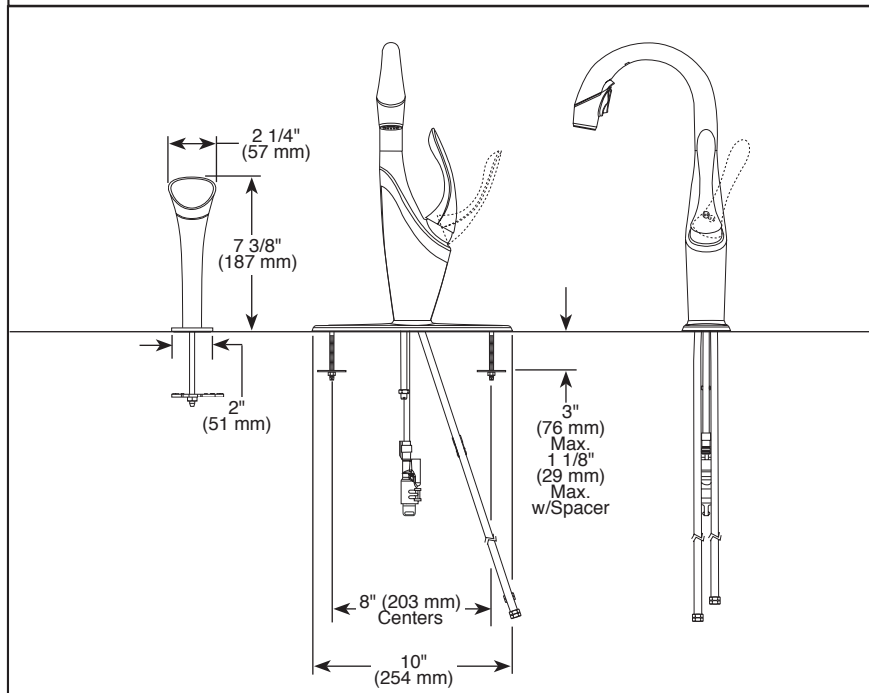
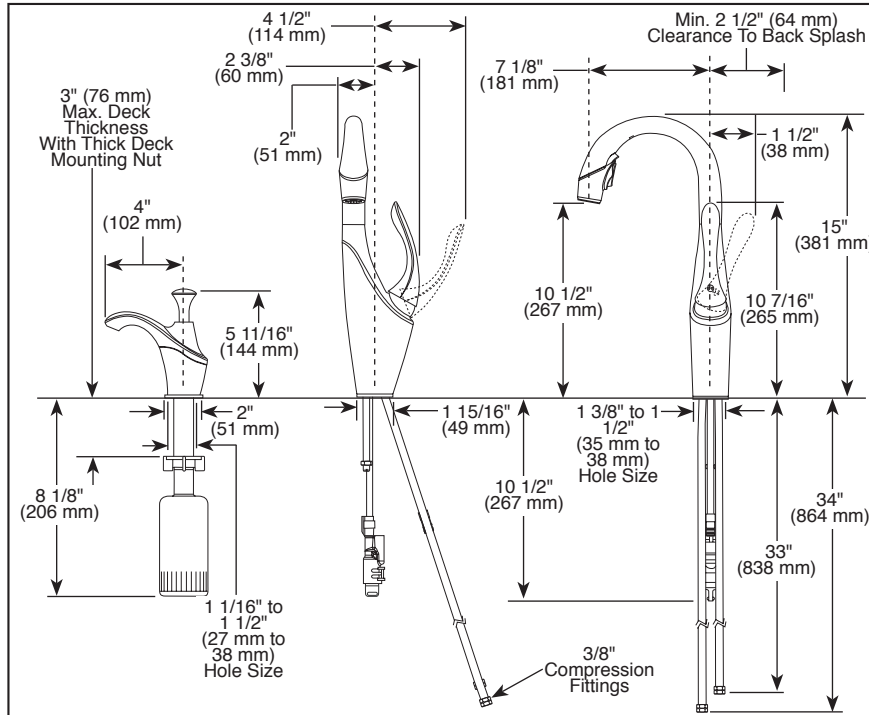


Submitted Model No.: _____

Specific Features: _____



▲ Designate proper finish suffix

Brizo Kitchen & Bath Company reserves the right (1) to make changes in specifications and materials, and (2) to change or discontinue models, both without notice or obligation. Dimensions are for reference only. See current full-line price book or www.brizo.com for finish options and product availability.

BSP-K-63955LF Rev. B

BRIZO® KITCHEN FAUCETS

- Vuelo® Collection
- Single Handle Deck Mount
- 2-Function Pull-Down
- Single, 2, 3, or 4 Hole Sink Applications
- Centermount or 8" (203 mm) Centers w/ Optional 10" (254 mm) Escutcheon
- Optional Vase and Soap Dispenser
- MagneDock® Magnetic Docking

STANDARD SPECIFICATIONS:

- Single handle, 2-function pull-down kitchen faucets for mounting on single, two, three, and four hole sinks.
- 15" (381 mm) high, 7 1/8" (181 mm) long, spout swings 360°.
- Lever handle. Control mechanism shall be full-motion valve cartridge.
- Touch-Clean® sprayhead.
- Quick connect hoses.
- Pull-down wand operates in an aerated or spray mode via ergonomic button.
- Red/blue graphics on handle button to indicate hot/cold temperature.
- MagneDock® magnetic docking.
- Thin deck mounting aid to help secure product if used on thin sinks.
- Dual integral check valves in adapter assembly.
- Spacer for mounting nut to reduce number of turns required for installation.
- Mounting wrench to assist in tightening mounting nut securely.
- Hose travels inside mounting shank so it will not interfere with deck edges.
- Keyed trim ring and 10" (254 mm) escutcheon to help alignment and aid installation.
- Maximum 1.80 gpm @ 60 psi, 6.8 L/min @ 414 kPa

WARRANTY

- Lifetime limited warranty on parts (other than electronic parts and batteries) and finishes: or, for commercial users, for 5 years from date of purchase.
- 5 year limited warranty on electronic parts (other than batteries); or, for commercial users, for 1 year from the date of purchase. No warranty is provided on batteries.



COMPLIES WITH:

- ASME A112.18.1 / CSA B125.1
- ♿ Indicates compliance to ICC/ANSI A117.1
- Verified compliant with .25% weighted average Pb content regulations.

Brizo Kitchen & Bath Company
Indianapolis, Indiana 46280
A Division of Masco Corporation of Indiana
© 2015 Brizo Kitchen & Bath Company